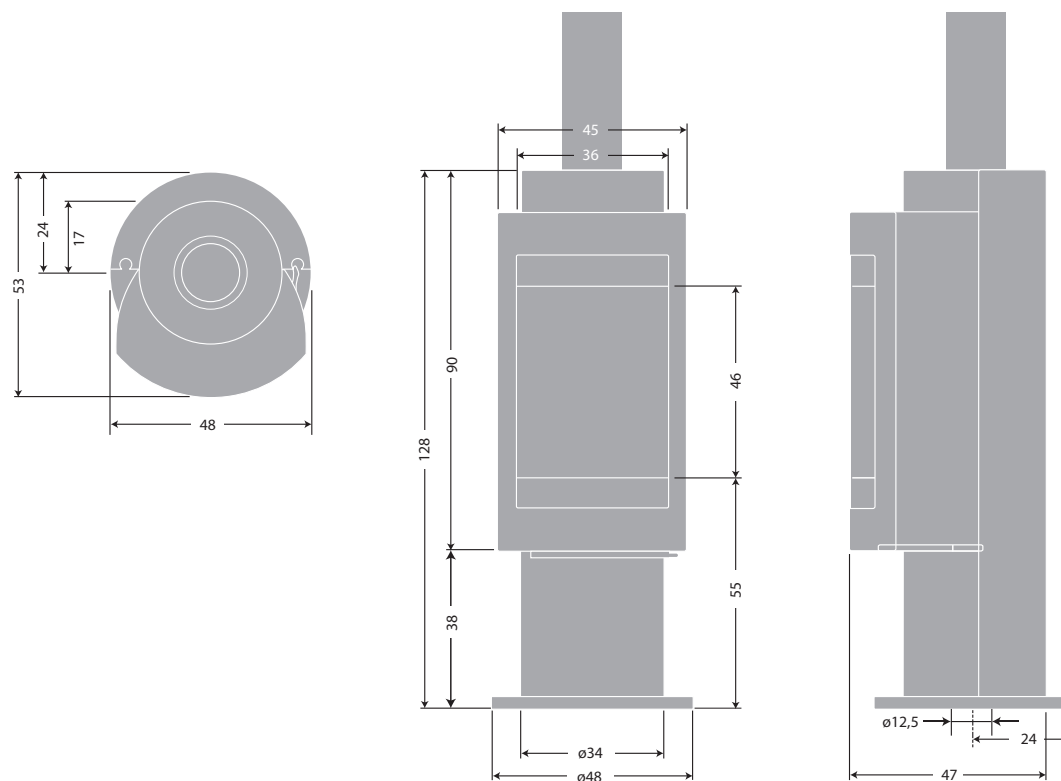




**HARRIE
LEENDERS**

SINCE 1979

CYLON



Ø	KG	≤ kWh	η	mg/Nm ³	EN 13240	kWh, g/s, CO, mbar
15	140	3-12	> 80%	< 40	EZKA/11/041-1	9.9, 8.6, 0.09, 0.012